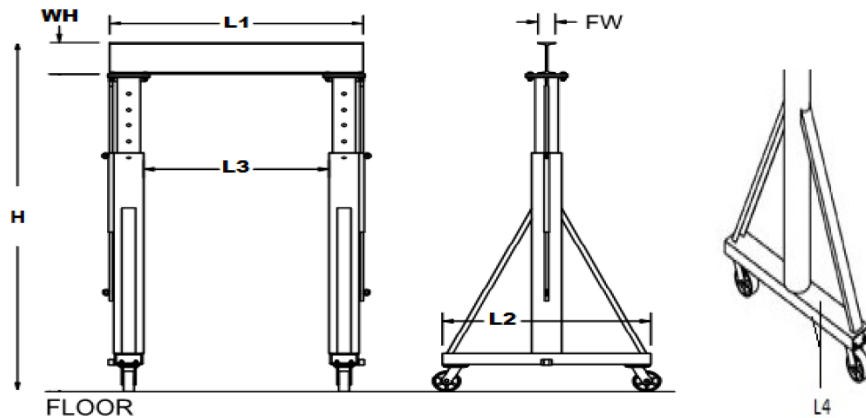


GANTRY CRANE

Telescoping Gantry Crane

Heavy-duty swivel casters with roller. Two casters are supplied with brakes. Both workable on flat and rough grounds. Simple structure, height span is adjustable. Closed pulley type that provides safety lift. Bolt connected between stand and foot support provides high stability.

Knockdown type, easy for carry and stock. Portable and can easily be assembled and disassembled for relocation.



Includes:

Two pieces A-type foot support.
 Girder length is 3260mm.
 Girder height is 6000mm.

CE EN ISO12100:2010
 EN60204-1:2006+A1:2009+AC:2010

LIFMEX Telescoping Height Gantry Crane Specifications

MODEL NO.	CAPACITY	WHEEL SIZE	WEIGHT
LGC1	1 TON	127 MM	500 KG

H		FW	WH	L1	L2	L3	L4
MIN (MM)	MAX (MM)	(MM)	(MM)	(MM)	(MM)	(MM)	(MM)
4000	6000	90	160	3260	280	2900	150*100

