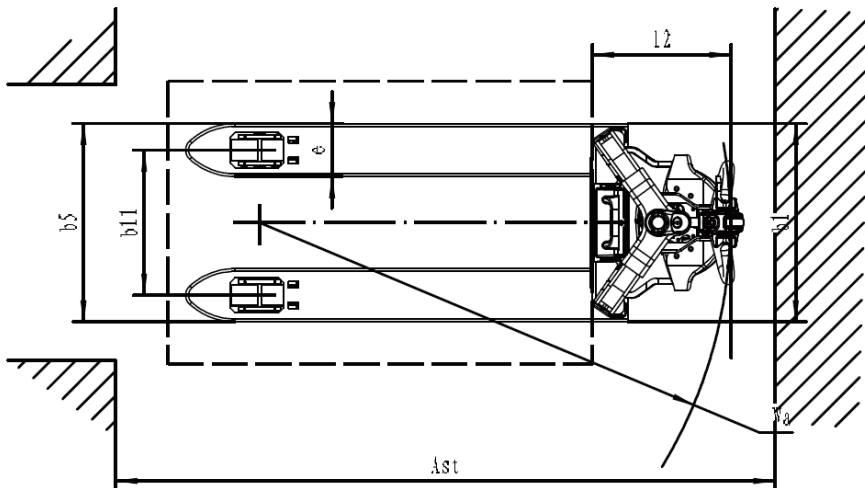
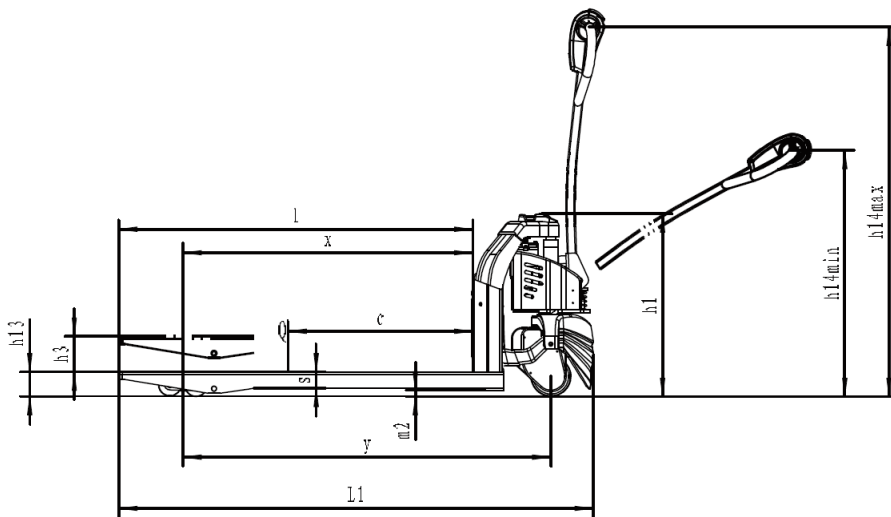




ELECTRIC PALLET TRUCK

LEPT12

- Light service weight, new frame design, decent capacity, high strength and suitable anywhere where a Hand Pallet Truck could be used.
- 120kg Ultra-light service weight.
- 1200kg high rated capacity.
- Can come and go freely in small working space with 1390mm turning radius.
- 5.8kg battery replacement, optional standby battery extends run time.
- Maintenance free truck design for easy trouble shooting and replace failure part by simple instruction, free of labor cost.



FEATURES

- Standard Lithium Ion battery, lifetime maintenance free.
- New design of integral handle head that makes it easy to access all control buttons.
- CAN-Bus system which simplifies operation/maintenance level and improves system reliability.
- Convenient emergency stop switch, strong driving wheel cover, solid battery clip, which ensures safety and reliability.
- Innovative designed sealed hydraulic unit.
- Low noise.
- SMART panel reflects operation and troubleshooting status.
- New patented key switch design, integrated with u-disk function.
- New patented non-contact limit switch design.

TECHNICAL SPECIFICATIONS

Distinguishing mark				
1.1	Manufacturer			EP
1.2	Model designation			LEPT12
1.3	Power unit			Battery
1.4	Operator type			Pedestrian
1.5	Load capacity	Q	kg	1200
1.6	Load centre	c	mm	600
1.8	Axle centre to fork face	x	mm	950(880)
1.9	Wheelbase	y	mm	1190(1120)
Weight				
2.1	Service weight (include battery)		kg	130
2.2	Axle loading with load,driving side/loading side		kg	420/910
2.3	Axle loading without load,driving side/loading side		kg	110/20
wheels/ tyres				
3.1	Tyre type driving wheels/loading wheels			PU/PU
3.2	Tyre size, driving wheels (diameter×width)		mm	Φ210x70
3.3	Tyre size, loading wheels (diameter×width)		mm	Φ80x60(Φ74x88)
3.5	Wheels, number driving/loading (x=drive wheels)		mm	1x/4(1x/2)
Dimensions				
4.4	Lift height	h ₃	mm	115
4.9	Height of tiller arm in driving position, min./max.	h ₁₄	mm	750/1190
4.15	fork height,lowered	h ₁₃	mm	80
4.19	Overall length	l ₁	mm	1540
4.20	Length to fork face	l ₂	mm	390
4.21	Overall width	b ₁	mm	560(685)
4.22	Fork dimensions	sxexl	mm	53x150x1150
4.25	Outside width of the forks	b ₅	mm	560(685)
4.32	Ground clearance, center of wheelbase	m ₂	mm	27
4.33	Aisle width for pallets 1000 × 1200 crossways	Ast	mm	1640
4.34	Aisle width for pallets 800 × 1200 lengthways	Ast	mm	1840
4.35	Turning radius	Wa	mm	1390
Performance				
5.1	Travel speed, with/ without load		km/h	4/4.5
5.2	Lifting speed, with/ without load		m/ s	0.02/0.025
5.3	Lowering speed, with/ without load		m/ s	0.09/0.05
5.8	Max. gradeability, with/ without load		%	4/10
5.10	service brake			electric
Drive				
6.1	Drive motor rating 60 min		kW	0.65
6.2	Lift motor rating at 15%		kW	0.5
6.3	Battery Type			Li-ion
6.4	Battery voltage/rated capacity(5h)		V/Ah	24/20
6.5	Battery weight		kg	5.8
6.6	power consumption according to VDI cycle		KWh/h	0.25
	Charger			24V10A
	Optional battery pack capacity			24V 26Ah
others				
8.1	Type of drive control			DC
8.4	Noise at the driver's ear			<74
	Application			GENERAL

If there are improvements of technical parameters or configurations, no further notice will be given.
 The diagram shown may contain non-standard configurations.